



Commercial Lighting



Industrial Lighting



Sports Lighting

MLLG-E-LED-EXPLO Explosion Proof Product Family



**Why
contractors
choose us**



Free Lighting
Plans to ensure
customer
satisfaction



Dedicated
Lighting
Specialist for
each project

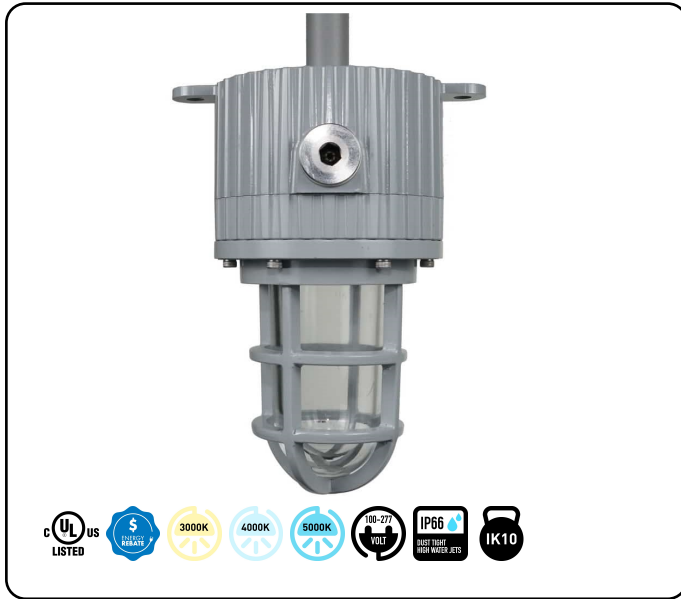


Large
inventory of
LED Lights

Table of Contents

	Page Number
- MLLG-E-LED-EXPLO-20-50-C1D2-PM	3
- MLLG-E-LED-EXPLO-20-50-C1D2-WM	4
- MLLG-E-LED-EXPLO-20-50-C1D2-SM	5
- MLLG-E-LED-EXPLO-40-50-C1D2-PM	6
- MLLG-E-LED-EXPLO-40-50-C1D2-WM	7
- MLLG-E-LED-EXPLO-40-50-C1D2-SM	8

20 Watt LED Explosion Proof Jelly Jar Light | 2800 Lumens | Class 1 Div 2



Product Details

SKU: MLLG-E-LED-EXPLO-20-50-C1D2-PM

Web ID: 1890

20 Watt LED Explosion Proof Jelly Jar - Class 1 Division 2 produces 2800 lumens at 140 lumens/watt replaces 100 Watt Metal Halide. The fixture replaces traditional fluorescent or metal halide C1D2 Jelly Jar Fixtures. It comes with a 100V-277V LED driver. Color temperature is 3000K or 4000K or 5000K. Beam Angle is 120°. The fixture uses a 3/4 in NPT Pendant Mount. It is IP66 wet location rated as well as Impact Rated at IK10 the strongest rating available. Fixture can operate in temperature conditions between -4 F to 140 F. Built-in 10kVA surge protection.

UL844 Certifications

Class 1 Division 2 Groups A B C D

Class 2 Division 1 Groups F G

Class 3

Other Certifications

Wet Locations (UL 1598) UL844 CSA ATEX IECEX

Options: Color Temperatures: 3000K 4000K available.

Product Specifications

Watts:	20	Dimmable:	1-10V
Lumens:	2800	Beam Angle:	120°
Lumens/Watt:	140	Frequency:	50-60Hz
Replaces:	100 Watt Metal Halide	Power Factor:	>.95
Color Temp:	3000K 4000K 5000K	THD:	< 10%
CRI:	70+	Housing:	Copper Free Aluminum, Dome with Wire Guard
IP Rating:	IP66	Fixture Color:	Gray
IK Rating:	IK10	Mounting:	3/4 in NPT Pendant
Input Voltage:	100V-277V	Dimensions:	9 in D X 13 in H in
Operating Temp:	-4°F to +140°F	Weight:	14
Rated Life:	50,000 (L70) hours	Warranty:	5 years

20 Watt LED Explosion Proof Jelly Jar Light | 2800 Lumens | Class 1 Div 2



Product Details

SKU: MLLG-E-LED-EXPLO-20-50-C1D2-WM

Web ID: 1894

20 Watt LED Explosion Proof Light Jelly Jar - Class 1 Division 2 produces 2800 lumens at 140 lumens/watt replaces 100 Watt Metal Halide. The fixture replaces traditional fluorescent or metal halide C1D2 Jelly Jar Fixtures. It comes with a 100V-277V LED driver. Color temperature is 5000K. Beam Angle is 120 . The fixture uses a Wall Mount. It is IP66 | IP66 wet location rated as well as Impact Rated at IK10 the strongest rating available. Fixture can operate in temperature conditions between -4 F to 140 F. Built-in 10KvA surge protection.

UL844 Certifications

Class 1 Division 2 Groups A B C D

Class 2 Division 1 Groups F G

Class 3

Other Certifications

Wet Locations (UL 1598) UL844 CSA ATEX IECEX

Options: Color Temperatures: 3000K 4000K available.

Product Specifications

Watts:	20	Dimmable:	1-10V
Lumens:	2800	Beam Angle:	120°
Lumens/Watt:	140	Frequency:	50-60Hz
Replaces:	100 Watt Metal Halide	Power Factor:	>.95
Color Temp:	5000K	THD:	< 10%
CRI:	70+	Housing:	Copper Free Aluminum, Dome with Wire Guard
IP Rating:	IP66 IP66	Fixture Color:	Gray
IK Rating:	IK10	Mounting:	Wall
Input Voltage:	100V-277V	Dimensions:	9 in D X 13 in H in
Operating Temp:	-4°F to +140°F	Weight:	14
Rated Life:	50,000 (L70) hours	Warranty:	5 years

20 Watt LED Explosion Proof Jelly Jar Light | 2800 Lumens | Class 1 Div 2



Product Details

SKU: MLLG-E-LED-EXPLO-20-50-C1D2-SM

Web ID: 1888

20 Watt LED Explosion Proof Jelly Jar - Class 1 Division 2 produces 2800 lumens at 140 lumens/watt replaces 100 Watt Metal Halide. The fixture replaces traditional fluorescent or metal halide C1D2 Jelly Jar Fixtures. It comes with a 100V-277V LED driver. Color temperature is 5000K. Beam Angle is 120°. The fixture uses a Surface Mount. It is IP66 wet location rated as well as Impact Rated at IK10 the strongest rating available. Fixture can operate in temperature conditions between -4 F to 140 F. Built-in 10kVA surge protection.

UL844 Certifications

Class 1 Division 2 Groups A B C D

Class 2 Division 1 Groups F G

Class 3

Other Certifications

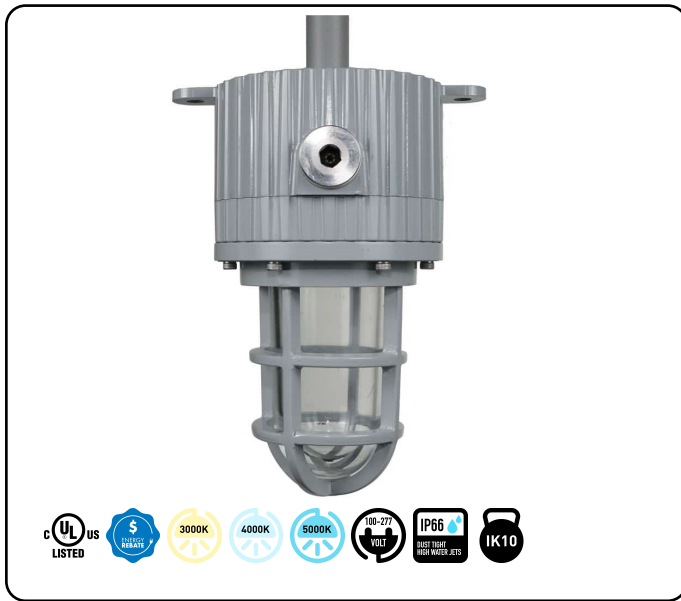
Wet Locations (UL 1598) UL844 CSA ATEX IECEx

Options: Color Temperatures: 3000K 4000K available.

Product Specifications

Watts:	20	Dimmable:	1-10V
Lumens:	2800	Beam Angle:	120°
Lumens/Watt:	140	Frequency:	50-60Hz
Replaces:	100 Watt Metal Halide	Power Factor:	>.95
Color Temp:	5000K	THD:	< 10%
CRI:	70+	Housing:	Copper Free Aluminum, Dome with Wire Guard
IP Rating:	IP66	Fixture Color:	Gray
IK Rating:	IK10	Mounting:	Surface
Input Voltage:	100V-277V	Dimensions:	9 in D X 13 in H in
Operating Temp:	-4°F to +140°F	Weight:	14
Rated Life:	50,000 (L70) hours	Warranty:	5 years

40 Watt LED Explosion Proof Jelly Jar Light | 5600 Lumens | Class 1 Div 2



Product Details

SKU: MLLG-E-LED-EXPLO-40-50-C1D2-PM

Web ID: 1891

40 Watt LED Explosion Proof Light Jelly Jar - Class 1 Division 2 produces 5600 lumens at 140 lumens/watt replaces 175 Watt Metal Halide. The fixture replaces traditional fluorescent or metal halide C1D2 Jelly Jar Fixtures. It comes with a 100V-277V LED driver. Color temperature is 3000K or 4000K or 5000K. Beam Angle is 120 . The fixture uses a 3/4 in NPT Pendant Mount. It is IP66 wet location rated as well as Impact Rated at IK10 the strongest rating available. Fixture can operate in temperature conditions between -4 F to 140 F. Built-in 10kVA surge protection.

UL844 Certifications

Class 1 Division 2 Groups A B C D

Class 2 Division 1 Groups F G

Class 3

Other Certifications

Wet Locations (UL 1598) UL844 CSA ATEX IECEx

Options: Color Temperatures: 3000K 4000K available.

Product Specifications

Watts:	40	Dimmable:	1-10V
Lumens:	5600	Beam Angle:	120°
Lumens/Watt:	140	Frequency:	50-60Hz
Replaces:	175 Watt Metal Halide	Power Factor:	>.95
Color Temp:	3000K 4000K 5000K	THD:	< 10%
CRI:	70+	Housing:	Copper Free Aluminum, Dome with Wire Guard
IP Rating:	IP66	Fixture Color:	Gray
IK Rating:	IK10	Mounting:	3/4 in NPT Pendant
Input Voltage:	100V-277V	Dimensions:	9 in D X 13 in H in
Operating Temp:	-4°F to +140°F	Weight:	14
Rated Life:	50,000 (L70) hours	Warranty:	5 years

40 Watt LED Explosion Proof Jelly Jar Light | 5600 Lumens | Class 1 Div 2



Product Details

SKU: MLLG-E-LED-EXPLO-40-50-C1D2-WM

Web ID: 1895

40 Watt LED Explosion Proof Light Jelly Jar - Class 1 Division 2 produces 5600 lumens at 140 lumens/watt replaces 175 Watt Metal Halide. The fixture replaces traditional fluorescent or metal halide C1D2 Jelly Jar Fixtures. It comes with a 100V-277V LED driver. Color temperature is 3000K or 4000K or 5000K. Beam Angle is 120 . The fixture uses a Wall Mount. It is IP66 wet location rated as well as Impact Rated at IK10 the strongest rating available. Fixture can operate in temperature conditions between -4 F to 140 F. Built-in 10kVA surge protection.

UL844 Certifications

Class 1 Division 2 Groups A B C D

Class 2 Division 1 Groups F G

Class 3

Other Certifications

Wet Locations (UL 1598) UL844 CSA ATEX IECEX

Options: Color Temperatures: 3000K 4000K available.

Product Specifications

Watts:	40	Dimmable:	1-10V
Lumens:	5600	Beam Angle:	120°
Lumens/Watt:	140	Frequency:	50-60Hz
Replaces:	175 Watt Metal Halide	Power Factor:	>.95
Color Temp:	3000K 4000K 5000K	THD:	< 10%
CRI:	70+	Housing:	Copper Free Aluminum, Dome with Wire Guard
IP Rating:	IP66	Fixture Color:	Gray
IK Rating:	IK10	Mounting:	Wall
Input Voltage:	100V-277V	Dimensions:	9 in D X 13 in H in
Operating Temp:	-4°F to +140°F	Weight:	14
Rated Life:	50,000 (L70) hours	Warranty:	5 years

40 Watt LED Explosion Proof Jelly Jar Light | 5600 Lumens | Class 1 Div 2



Product Details

SKU: MLLG-E-LED-EXPLO-40-50-C1D2-SM

Web ID: 1889

40 Watt LED Explosion Proof Jelly Jar - Class 1 Division 2 produces 5600 lumens at 140 lumens/watt replaces 175 Watt Metal Halide. The fixture replaces traditional fluorescent or metal halide C1D2 Jelly Jar Fixtures. It comes with a 100V-277V LED driver. Color temperature is 3000K or 4000K or 5000K. Beam Angle is 120 . The fixture uses a Surface Mount. It is IP66 wet location rated as well as Impact Rated at IK10 the strongest rating available. Fixture can operate in temperature conditions between -4 F to 140 F. Built-in 10kVA surge protection.

UL844 Certifications

Class 1 Division 2 Groups A B C D

Class 2 Division 1 Groups F G

Class 3

Other Certifications

Wet Locations (UL 1598) UL844 CSA ATEX IECEX

Options: Color Temperatures: 3000K 4000K available.

Product Specifications

Watts:	40	Dimmable:	1-10V
Lumens:	5600	Beam Angle:	120°
Lumens/Watt:	140	Frequency:	50-60Hz
Replaces:	175 Watt Metal Halide	Power Factor:	>.95
Color Temp:	3000K 4000K 5000K	THD:	< 10%
CRI:	70+	Housing:	Copper Free Aluminum, Dome with Wire Guard
IP Rating:	IP66	Fixture Color:	Gray
IK Rating:	IK10	Mounting:	Surface
Input Voltage:	100V-277V	Dimensions:	9 in D X 13 in H in
Operating Temp:	-4°F to +140°F	Weight:	14
Rated Life:	50,000 (L70) hours	Warranty:	5 years