



Commercial Lighting



Industrial Lighting



Sports Lighting

MLLG-E-EXPL-JunctionBox Explosion Proof Product Family



**Why
contractors
choose us**



Free Lighting
Plans to ensure
customer
satisfaction



Dedicated
Lighting
Specialist for
each project



Large
inventory of
LED Lights

Table of Contents

	Page Number
- MLLG-E-EXPL-JunctionBox	3
- MLLG-E-EXPL-JunctionBox-C1D2	4
- MLLG-E-MS-C1D2-JB	5
- MLLG-E-PC-C1D2-JB	6
- MLLG-E-PC-C1D2-KO	7



Product Details

SKU: MLLG-E-EXPL-JunctionBox

Web ID: 1677

Explosion Proof Certified Junction box accepts 1/2 in or 3/4 in NPT connections.

UL1203 rated

Class 1 Division 1 Group A B C D

Class 1 Division 2 Groups A B C D

Product Specifications

IP Rating:	IP67	Class 1 Division 1:	Group A, B, C, D
Operating Temp:	-76°F to +140°F	NPT Connections:	3/4 in (Standard) 1/2 in (built to order)
Dimensions:	5.6 in X 5.6 in X 4.2 in	Warranty:	5 years

Class 1 Div 2 | Class 2 Div 2 | Junction Box | 3/4 NPT



Product Details

SKU: MLLG-E-EXPL-JunctionBox-C1D2

Web ID: 1832

Explosion Proof Certified Junction box accepts 1/2 in or 3/4 in NPT connections.

UL1203

Class I Division 2 Groups A B C D

Class II Division 1 Groups E F G

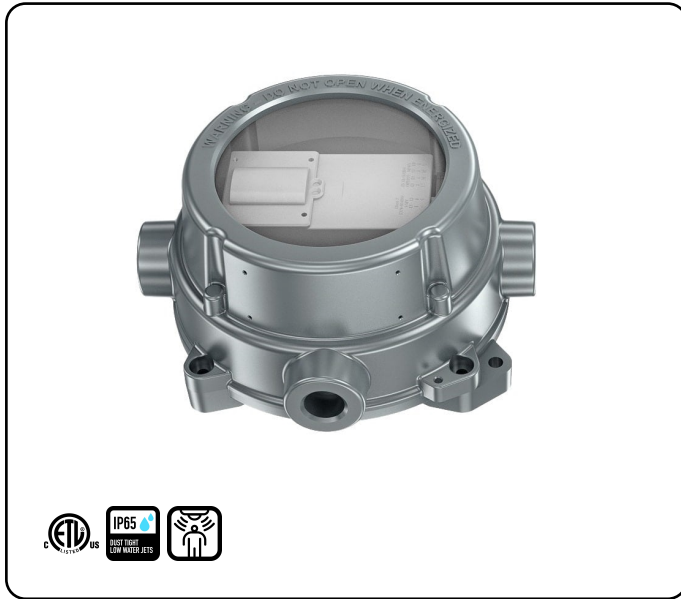
Class II Division 2 Groups F G

Class III

Product Specifications

IP Rating:	IP67	Class 1 Division 2:	Group A, B, C, D
Operating Temp:	-76°F to +140°F	NPT Connections:	3/4 in (Standard) 1/2 in (built to order)
Dimensions:	5.6 in X 5.6 in X 4.2 in	Warranty:	5 years

Explosion Proof Junction Box | 1/2 in or 3/4 in NPT | Wall or Ceiling Mounted



Product Details

SKU: MLLG-E-MS-C1D2-JB

Web ID: 2055

C1D2 Explosion Proof Junction Box with built-in Motion Sensor functionality (on/off only). 3/8 inch knockout standard 1/2 inch knockout special order.

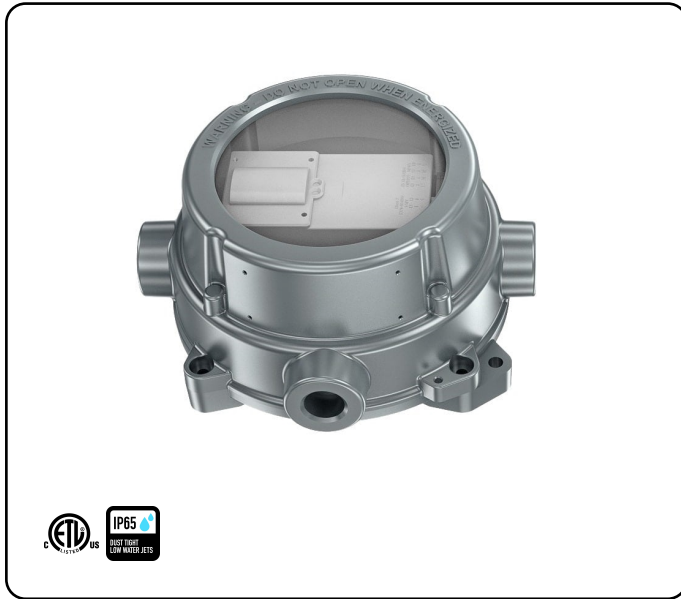
UL1203 rated

Class 1 Division 2: Groups A B C D

Product Specifications

IP Rating:	IP65	Load Capacity 120V:	400 Watts
Operating Temp:	-22°F to +140°F	Load Capacity 220V-240V:	800 Watts
Dimensions:	5.6 in X 5.6 in X 4.2 in	Load Capacity 277V:	1000 Watts
Class 1 Division 2:	Group A, B, C, D	NPT Connections:	3/4 in (Standard) 1/2 in (built to order)
Voltage:	100V-277V	Warranty:	5 years
Rated Life:	50,000 hours		

Explosion Proof Junction Box | 1/2 in or 3/4 in NPT | Wall or Ceiling Mounted



Product Details

SKU: MLLG-E-PC-C1D2-JB

Web ID: 2063

C1D2 Explosion Proof Junction Box with built-in Photocell functionality (on/off only). 3/8 inch knockout standard 1/2 inch knockout special order.

UL1203 rated

Class 1 Division 2: Groups A B C D

Product Specifications

IP Rating:	IP65	Load Capacity 120V:	400 Watts
Operating Temp:	-22°F to +140°F	Load Capacity 220V-240V:	800 Watts
Dimensions:	5.6 in X 5.6 in X 4.2 in	Load Capacity 277V:	1000 Watts
Class 1 Division 2:	Group A, B, C, D	NPT Connections:	3/4 in (Standard) 1/2 in (built to order)
Voltage:	100V-277V	Warranty:	5 years
Rated Life:	50,000 hours		

Explosion Proof Photocell | 1/2 in or 3/4 in NPT



Product Details

SKU: MLLG-E-PC-C1D2-KO

Web ID: 2054

C1D2 Explosion Proof Photocell (on/off only). Attaches to the Fixtures knockout. 3/8 inch knockout standard 1/2 inch knockout special order.

UL1203 rated

Class 1 Division 2: Groups A B C D

Product Specifications

IP Rating:	IP65	Load Capacity 120V:	400 Watts
Operating Temp:	-22°F to +140°F	Load Capacity 220V-240V:	800 Watts
Dimensions:	5.6 in X 5.6 in X 4.2 in	Load Capacity 277V:	1000 Watts
Class 1 Division 2:	Group A, B, C, D	NPT Connections:	3/4 in (Standard) 1/2 in (built to order)
Voltage:	100V-277V	Warranty:	5 years
Rated Life:	50,000 hours		