

USER MANUAL FOR LED RETROFIT KITS

WARNING:

- Risk of Fire/Electric Shock - Installation must be done by a qualified electrician.
- For your safety read all instructions completely before installing.

Important steps to follow before installing LED retrofit kits:

- Turn power OFF before starting installation.
- Remove existing bulb, ballast, and socket.
- For Longest Life & to keep the LED Head & Driver cool - **PERMANENTLY REMOVE THE FIXTURE'S REFLECTOR. RETROFIT WARRANTY IS VOID IF THE FIXTURE'S REFLECTOR IS NOT REMOVED.**
- Wipe excess dust from inside the fixture. Clean the fixture's glass if dirty.

Installation Options: The LED retrofit kits can be mounted by an "L bracket", or by the "Flat plate", both included.

(Bracket assembly system, including the mounting port on top of heat sink housing, is used for installation only, not for heat dissipating. Adiabatic pad is used between housing and mounting port/bracket.)

Mounting by "L bracket":

1. Mount the pre-assembled bracket (see FIG.1) to fixture (see FIG.2 for an example).



FIG.1

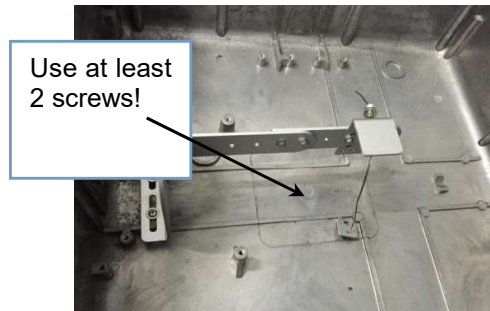


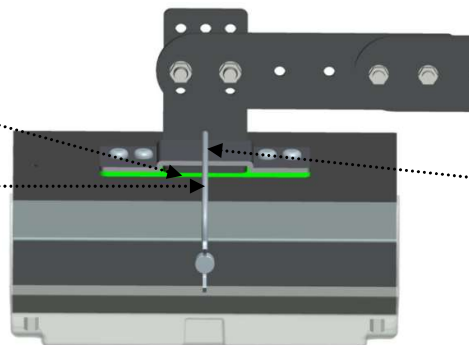
FIG.2

2. There is a mounting port on the top of the LED head. Insert the port into the bracket then attach the metal cord (already with one end attached to the bracket) to the LED head. Using the provided butterfly screw, secure it to a screw hole on the side of the LED head.

Adjust the length of the metal cord to make sure it's tight this way the LED head is firmly locked with the bracket. The butterfly screw can be used without tool (see FIG 3).

1. Insert the port to the bracket.
2. Attach this metal cord (one end already fixed on the bracket) to the LED head, by fixing it in a screw hole on the side of the LED head, using a butterfly screw (provided).

FIG.3



3. If the metal cord is not tight, adjust the length, and **MAKE SURE THE CORD IS TIGHT!**



See FIG 4 & FIG 5 for examples

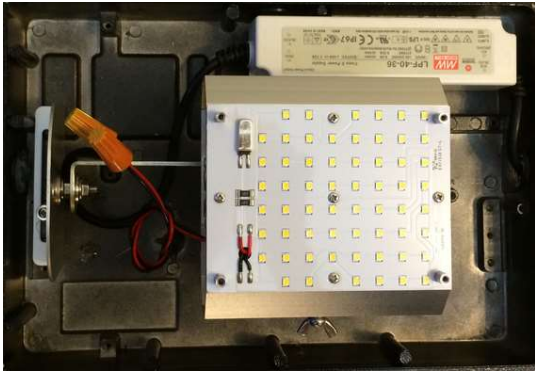


FIG. 4 (Wall pack example)

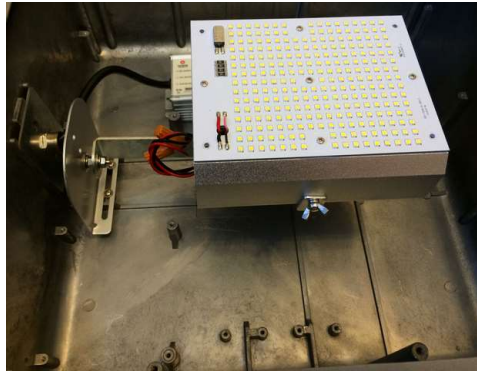


FIG. 5 (shoebox example)

3. Secure the metal cord (already with one end attached to the LED head) to the fixture. See FIG.6.

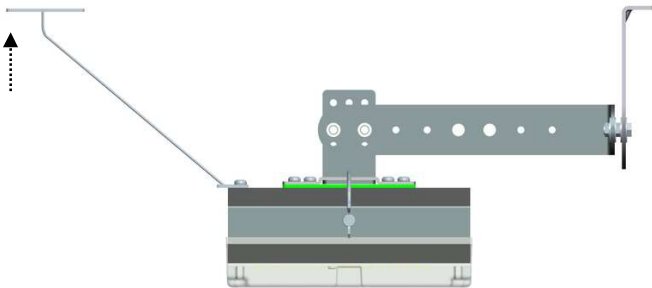


FIG.6

4. Remove the PC protective cover on the LED head (see FIG. 7). The PC cover is only meant to protect the LEDs during shipment and installation. It has to be removed after installation.

5. BE SURE THAT NOTHING WILL TOUCH OR FALL INTO THE FAN BLADES AFTER THE FIXTURE IS MOUNTED.

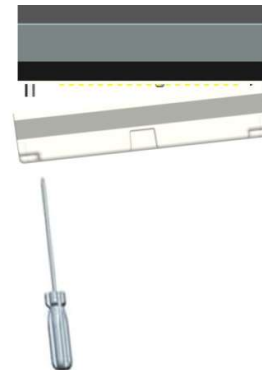


FIG.7

Installation option: Mounting by “Flat mounting plate”:

(This option is mostly used as a vertical mount):

1. To use this option, replace the pre-assembled “L bracket” with a “flat plate” (See FIG.8, FIG.9, FIG.10)

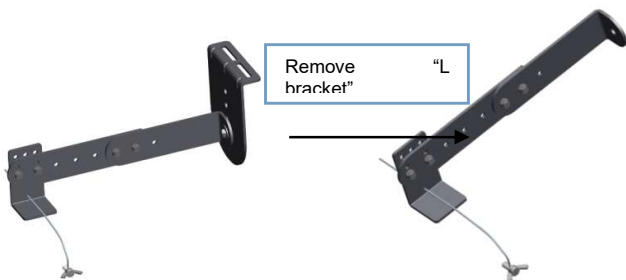


FIG. 8

FIG.9

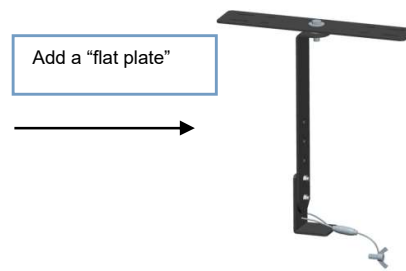


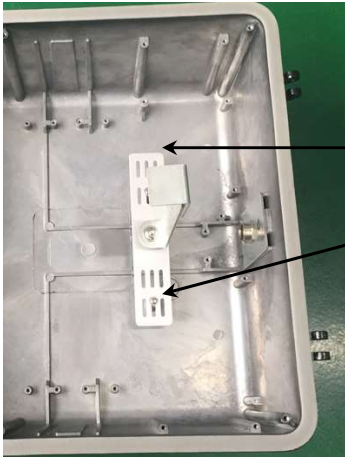
FIG.10



MY LED LIGHTING GUIDE

YOUR GUIDE TO ENERGY EFFICIENT LED LIGHTING

2. Mount the bracket with flat plate to fixture (See FIG.11 for an example).



Use at least
2 screws

FIG.11

3. There is a mounting port on the top of the LED head. Insert the port into the bracket then attach the metal cord (already with one end attached to the bracket) to the LED head. Using the provided butterfly screw, secure it to a screw hole on the side of the LED head. **Adjust the length of the metal cord to make sure it's tight this way the LED head is firmly locked with the bracket.** The butterfly screw can be used without tool (see FIG 12).

1. Insert the port to the bracket.

2. Attach this metal cord (one end already fixed on the bracket) to the LED head, by fixing it in a screw hole on the side of the LED head, using a butterfly screw (provided).

3. If the metal cord is not tight, adjust the length, and **MAKE SURE THE CORD IS TIGHT!**

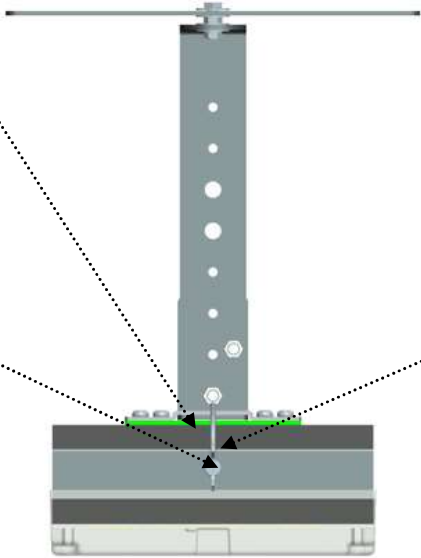


FIG. 12

- 4. Secure the metal cord(s) (already with one end attached the LED head, see FIG. 6) to the fixture, for secure purpose.
- 5. Remove the PC protective cover on the LED head (Refer to FIG. 7). The PC cover is only meant to protect the LEDs during shipment and installation. It has to be removed after installation.
- 6. BE SURE THAT NOTHING WILL TOUCH OR FALL INTO THE FAN BLADES AFTER THE FIXTURE IS MOUNTED.

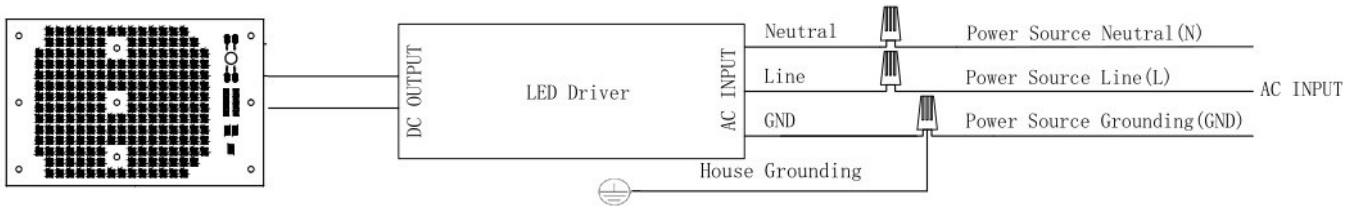


MY LED LIGHTING GUIDE

YOUR GUIDE TO ENERGY EFFICIENT LED LIGHTING

Wiring:

1. Install the LED driver in place of the ballast (Make sure the driver is not placed near the hot air outlet of heat sink, where the temperature is higher, which is not good for life span of driver. The driver should be placed near the air intake or sides of heat sink).
2. Wire the input source to the LED driver. The proper AC input connections to the driver are marked on the driver. There is a Ground, ACN (Neutral) and ACL (Line). VERY IMPORTANT: MAKE SURE THE WIRING IS PROPERLY GROUNDED.
3. Connect the output wires of the driver to the input wires of the LED Head: **Make certain to connect the Red Wire of the driver output to Red Wire of the LED head, and connect the Black Wire of the driver output to the Black Wire of the LED head.**
4. Re-assemble remaining parts of the fixture and restore power.
5. Never dim a non-dimmable LED driver. Not intended for use with emergency exits.



MODEL _____ WATTS _____
VOLTS _____ AMPS _____



Intertek
4010246
CONFORMS TO UL ANSI/UL
STD 1598, UL SUB 1598C
CERTIFIED TO CAN/CSA
STD C22.2 NO. 250.0
CSA Letter No. B-79