

MY LED LIGHTING GUIDE

YOUR GUIDE TO ENERGY EFFICIENT LED LIGHTING

INSTALLATION GUIDE

IMPORTANT SAFETY INFORMATION:

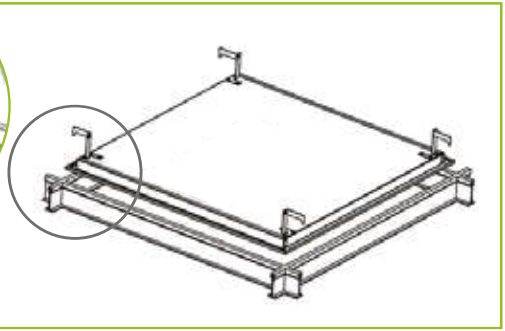
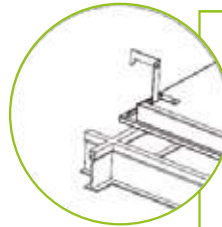
Please read all the instructions below before installation.

- ▶ Make sure that the supply voltage corresponds to the rated product voltage.
- ▶ The product is designed for indoor use only.

RECESSED MOUNT

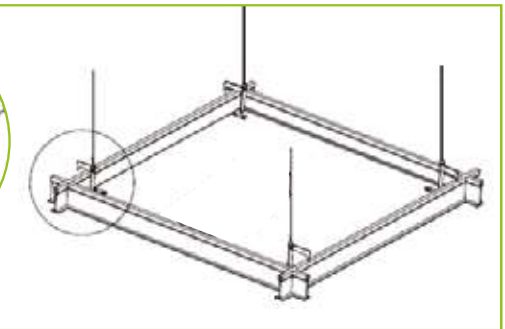
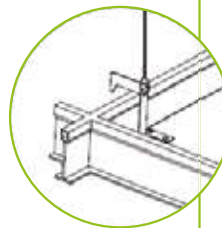
1. Choose the ceiling panel where you want to install the product, and remove it. For convenience, move adjacent ceiling tiles.
2. Fix the LED Panel into the ceiling: raise up the product above the bar, then place it on T-bars.

Two bend points for all four tabs



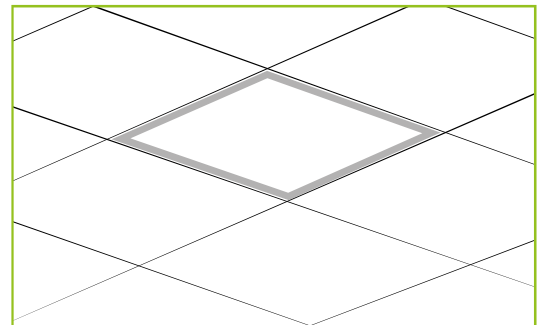
3. Secure the panel with the grid as shown in the picture.

Ensure the tab is securely attached to the grid



4. Connect wires as shown in electrical schematic diagram above.
5. Return the adjacent ceiling tiles to their places.
6. Turn on the main power. Installation is finished.

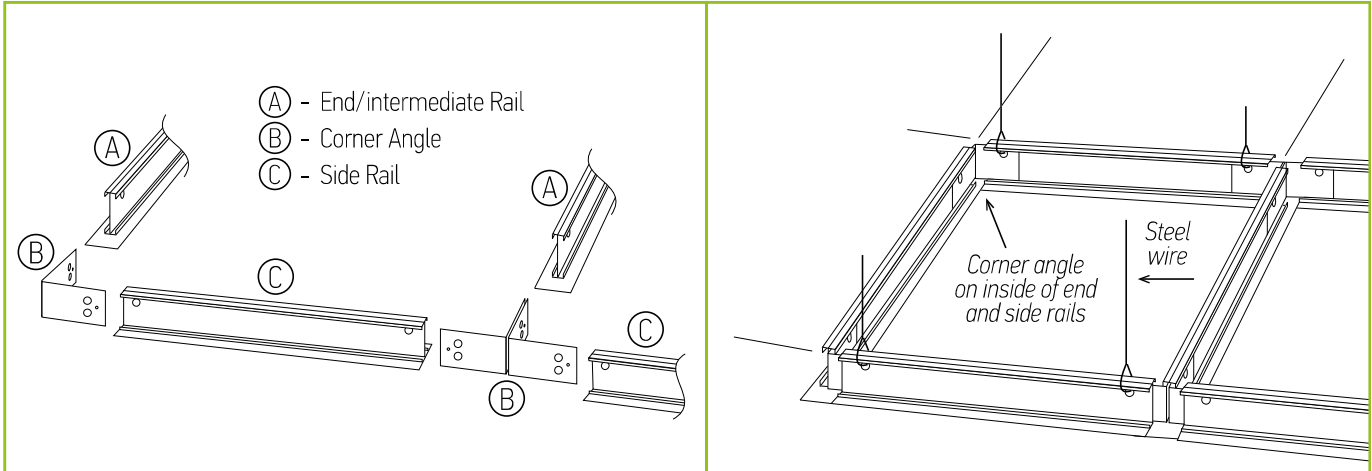
Compatible with grid size		
15/16"	Slot T	15/16" Tegral



MY LED LIGHTING GUIDE

YOUR GUIDE TO ENERGY EFFICIENT LED LIGHTING

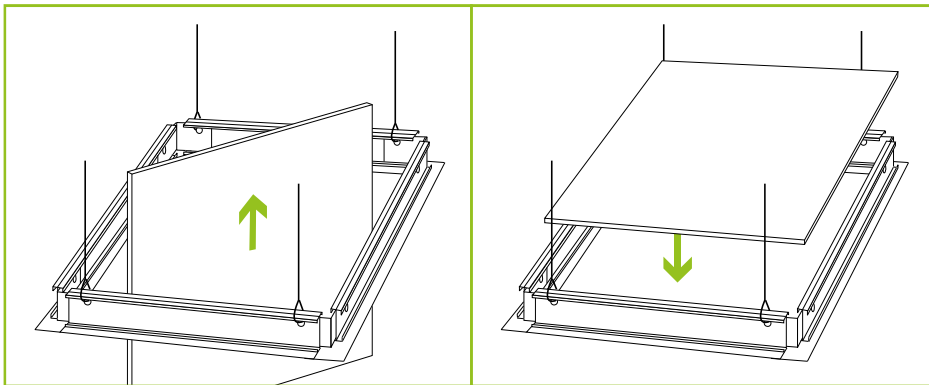
RECESSED SHEETROCK MOUNT



1. Following the picture above, slide part B into the inboard side of parts C and A as shown.
2. Place assembled frame into a ceiling opening and add steel wires for support as pictured below.

Note:

- ▶ For best results, attach supporting steel wires going into the ceiling to sides of frame after assembly
- ▶ End rail can be used as intermediate rail for tandem row



After wiring fixture, carefully slide it through ceiling opening, rotate and drop fixture into place.

Accessories for recessed sheetrock mount are sold separately.

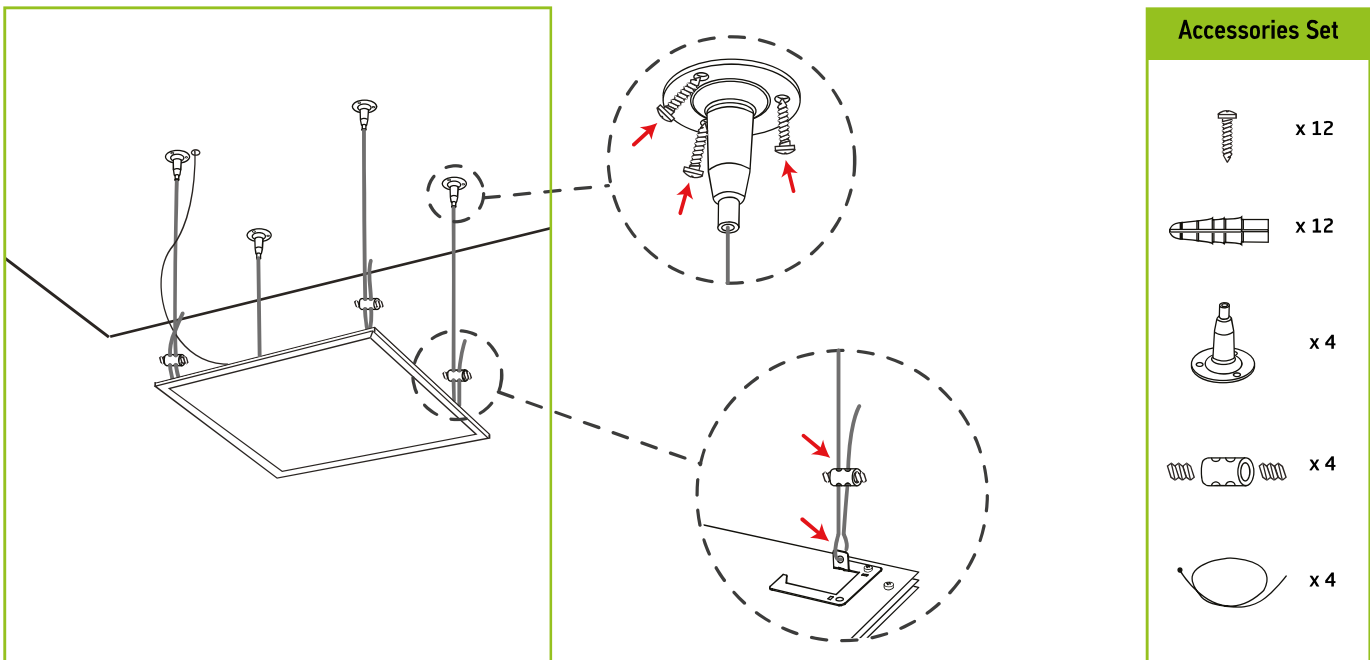
MY LED LIGHTING GUIDE

YOUR GUIDE TO ENERGY EFFICIENT LED LIGHTING

SUSPENDED MOUNT

(only for 2x2 and 1x4 LED Edge-Lit flat panels):

1. Make sure that the ceiling can hold the weight of the LED panel and install ceiling brackets suitable to support the weight of the LED panel. Affix cables.
2. Connect the wires as shown in electrical schematic diagram.
3. Attach the suspended cables to the bends at the edges of the LED flat panel.
4. Turn on the main power. Installation is finished.



Accessories for suspended mount are sold separately.

MY LED LIGHTING GUIDE

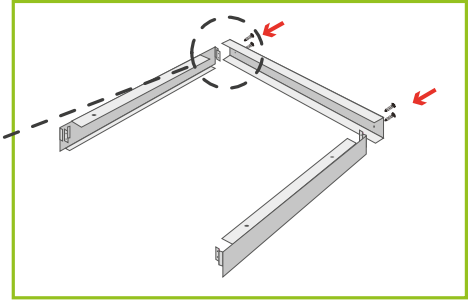
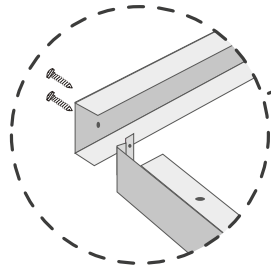

YOUR GUIDE TO ENERGY EFFICIENT LED LIGHTING

SURFACE MOUNT

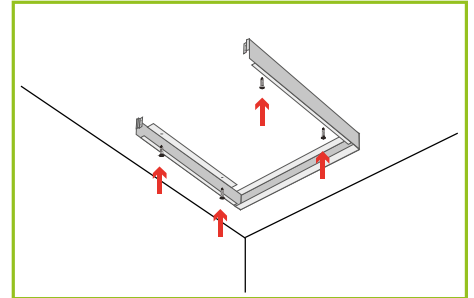
Wall/ceiling mount:

1. Put the pieces of frame to any horizontal surface.

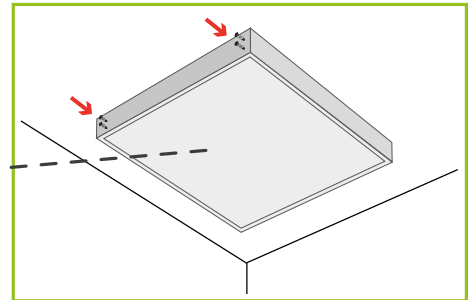
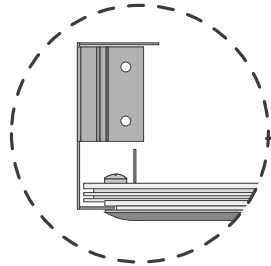
Connect three pieces together with screws (included)



2. Connect these 3 pieces of the frame to the ceiling using four screws.
3. Connect the panel wires as shown in electrical schematic diagram.



Insert the panel into the frame formed by three connected pieces



4. Attach the fourth piece and secure with screws.
5. Turn on the main power. Installation is complete.

Accessories for surface mount are sold separately