

Standard remote control HD02R

ON/OFF

Press the "ON/OFF" button, the light keeps permanently on or off. * Press "Auto Mode", "RESET" or "Scene mode" buttons to quit from this mode.

Detection area

Press the button "detection range" to set detection range as 100% / 75% / 50% / 10%.

Hold-time

Press the button "hold-time" to set hold-time as 5s / 30s / 1min / 3min / 5min / 10min / 20min / 30min .

Stand-by dimming level

Press the button "stand-by dimming level" to set the stand-by dimming level as 10% / 20% / 30% / 50%.

Stand-by period

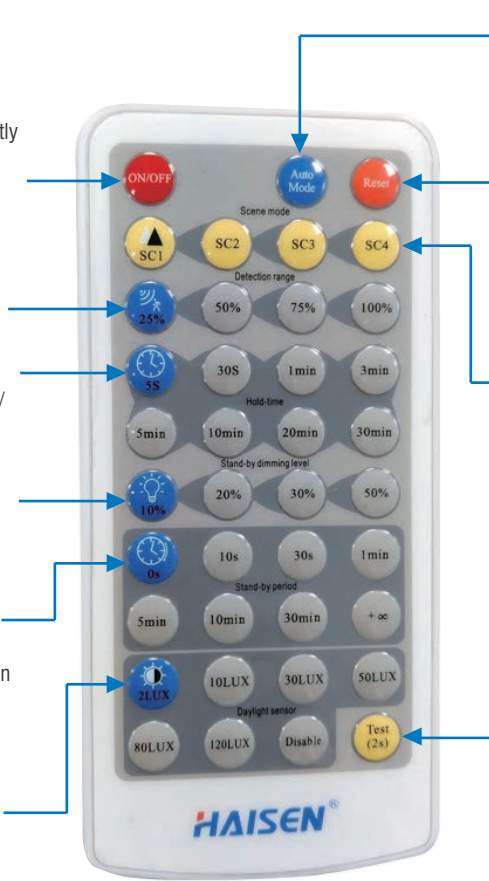
Press the button "stand-by period" to set stand-by period as 0s / 10s / 30s / 1min / 5min / 10min / 30min / +∞.

Note: "0s" means no standby period; "+∞" means unlimited standby period.

Daylight threshold

Press the button "daylight sensor" to set daylight threshold as 2Lux / 10Lux / 30Lux / 50Lux / 80Lux / 120Lux / disable.

Note: Disable means light will be turned on once sensor detects movement, regardless of the ambient lux.



Auto Mode

Press "Auto Mode" button, the sensor starts to work and all settings remain the same before the light gets switched on/off.

Reset

Press "RESET" button, products with DIP switch will be controlled by DIP switches; otherwise all the setting will be just initial, that is 100% detection range, hold time 5S, no stand-by time and daylight threshold disabled.

Scene Mode

Scene mode	Detection area	Hold-time	Daylight threshold	Stand-by period	Stand-by dimming level
SC1	100%	30s	2Lux	1min	10%
SC2	100%	5min	10Lux	10min	10%
SC3	100%	10min	50Lux	30min	10%
SC4	100%	30min	Disable	+∞	10%

The button "Test (2s)" is for testing purpose after commissioning. Pressing this button, the sensor goes to test mode (hold time is only 2s) automatically, stand-by period and daylight sensor are disabled.

This mode can be ended by pressing "reset", "Auto mode", "scene mode" or "hold time". The sensor setting is changed accordingly.

Attention

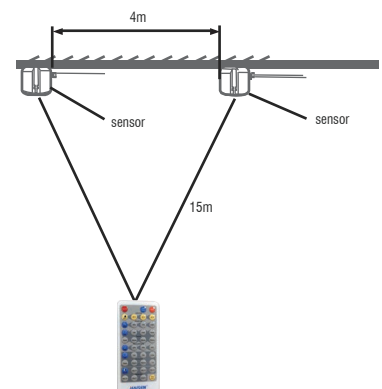
1. When using ON/OFF button, the rest setting buttons don't work.
2. Press "Auto Mode", "scene mode" or "Reset" buttons before setting functions Detection Range, Hold time, Daylight sensor, Standby period and Standby dimming level.
3. Press "Scene Mode" and choose one from the existing four scenes.
4. When using the remote control, light flickers to show instruction received.
5. Every change will be automatically saved.

Sensor installation method

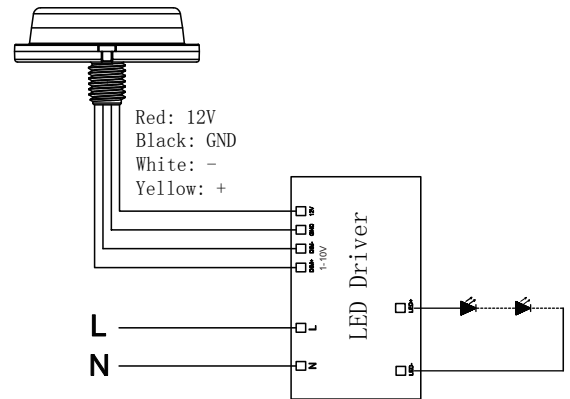
The distance between the inductor and the sensor is 4m wide; Recommended installation of sensor suction ceiling height 3-6m; Wall mounting height suggested 1-1.8m;

The remote controls the most remote distance 15 meters (in different places remote control distance will have the deviation)

Weight (including battery): 56.5g



DC12V Highbay installation Sensor Antenna HD06VCRH



On/off control



Stand-by dimming level



Detection area



Remote control setting



Hold-time



10-15M Highbay



Daylight sensor



5 years



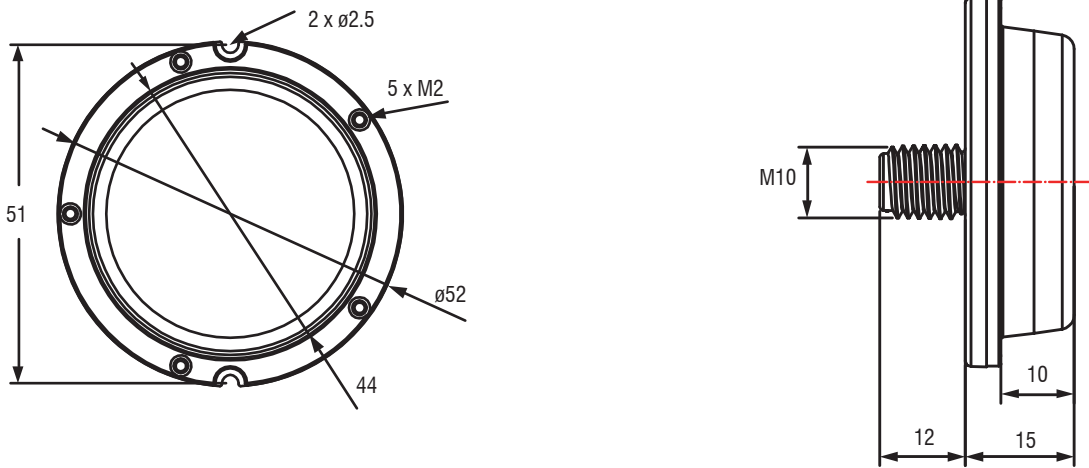
Stand-by period

01 Technical data

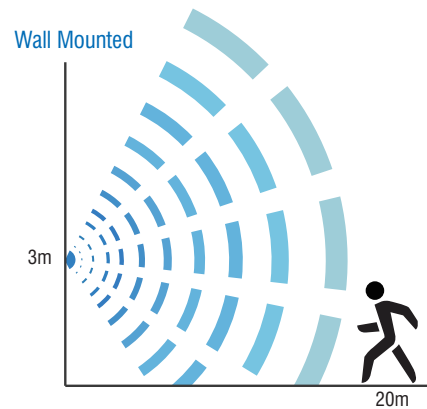
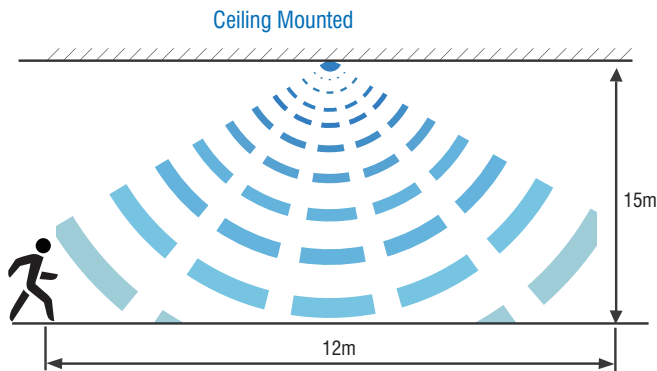
Operating voltage	10-15V DC
Operating current	30mA±5%
Output	DIM 1-10V
Standby power	<0.5W
Detection area	25%/50%/75%/100%
Hold-time	5s/30s/1min/3min/5min/10min/20min/30min
Daylight threshold	2Lux/10Lux/50Lux/Disable
Stand-by period	0s/10s/30s/1min/5min/10min/30min/+∞
Stand-by dimming level	10%/20%/30%/50%
Microwave power	<0.3mW
Microwave frequency	5.8GHz±75MHz
Microwave power	<0.3mW
Detection angle	30-150°
Control line	Ret 12V; Black GND; White -; Yellow +
Mounting height	Max.15m(ceiling mounted)
Detection range	Max.12x15m(ceiling mounted) Max.20m(wall mounted)
Operating temperature	-20°C~+60°C
IP rating	IP65

Note: Motion sensor setting and dimming setting please refer to remote control HD02R.
HD06VCRH Standard Version Cable Length 60mm(Can be customized).

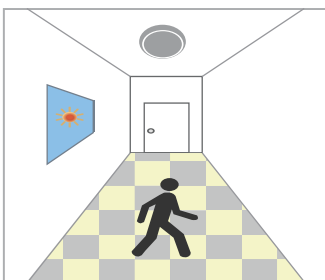
02 Mechanical structure(mm)



03 Detection coverage



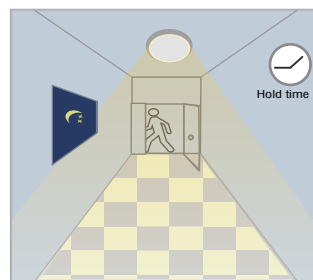
04 Application Function Demo - Dimmable control/Corridor function



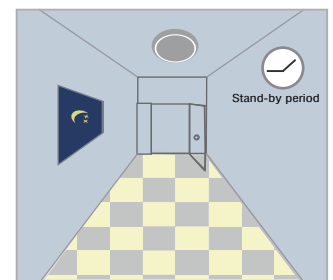
With sufficient daylight, even when motion detected, light remains OFF.



With insufficient daylight, when motion detected, light ON.



After last detection, the light will be dimmed down to the stand-by dimming level(10%,20%,30% or 50%) after holdtime.



After the stand-by period, light OFF.